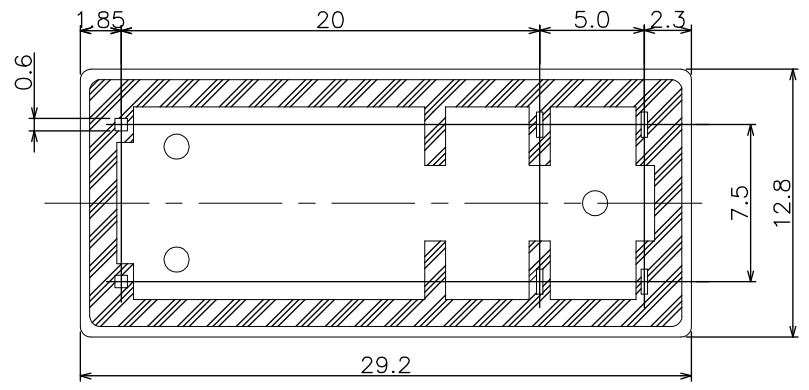
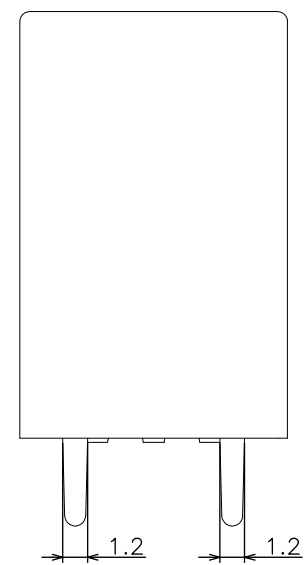
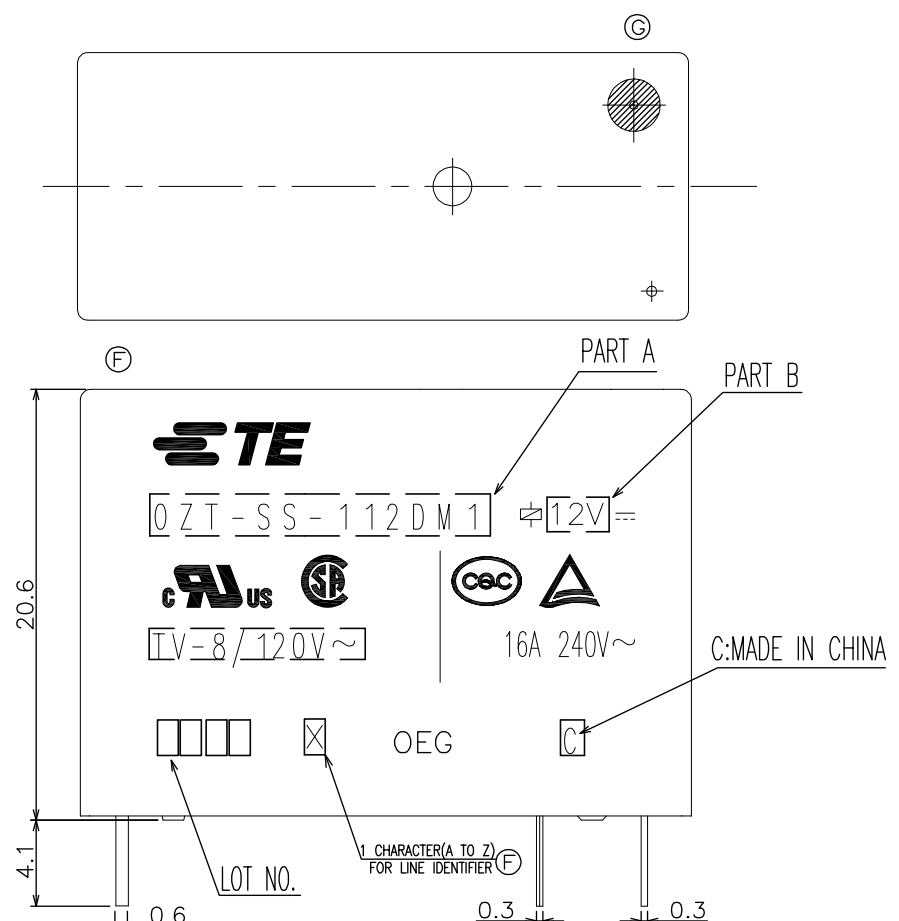
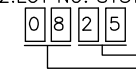


THIS DRAWING IS UNPUBLISHED. RELEASED FOR PUBLICATION  
 © COPYRIGHT - By - ALL RIGHTS RESERVED.

LOC	DIST	REVISIONS					
		P	LTR	DESCRIPTION	DATE	DWN	APVD
HB	-		G	CHANGE THE VENT HOLE SHAPE FROM RECTANGLE TO CIRCLE ONE ECO-13-015347	16-DEC-14	XL,Y	B,F
			G1	REMOVE 3-1440002-6, ADD IT TO ANOTHER CD DRAWING ECO-14-011106	18-JUL-14	XL,Y	B,F



NOTES:  
 1. TERMINAL DIMENSION IS NOT INCLUDING SOLDER TIP.  
 2. LOT NO. SYSTEM AS FOLLOWING:



3. GENERAL TOLERANCE AS FOLLOW:

TOLERANCE	
0~0.99mm	±0.1
1mm~2.99mm	±0.2
3mm MIN.	±0.3

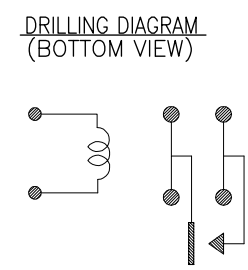
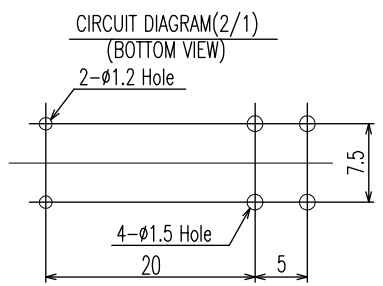
④ 4. FOR THE TIN-PLATING OF THE PINS:  
 +0.1mm FOR WIDTH, THICKNESS AND DIAMETER.  
 +0.5mm FOR LENGTH.

THIS DRAWING IS A CONTROLLED DOCUMENT.		DWN LIU, DAVEY 13MAY2009	TE Connectivity																											
DIMENSIONS: mm		CHK BANGHUA, YU			NAME																									
TOLERANCES UNLESS OTHERWISE SPECIFIED:		APVD SUNNY, ZHANG	OZT-D/LM1 CUSTOMER DRAWING																											
<table border="1"> <tr><td>0</td><td>PLC</td><td>±</td><td>-</td></tr> <tr><td>1</td><td>PLC</td><td>±</td><td>-</td></tr> <tr><td>2</td><td>PLC</td><td>±</td><td>-</td></tr> <tr><td>3</td><td>PLC</td><td>±</td><td>-</td></tr> <tr><td>4</td><td>PLC</td><td>±</td><td>-</td></tr> <tr><td colspan="2">ANGLES</td><td>±</td><td>-</td></tr> </table>		0	PLC	±	-	1	PLC	±	-	2	PLC	±	-	3	PLC	±	-	4	PLC	±	-	ANGLES		±	-	PRODUCT SPEC	SIZE	CAGE CODE	DRAWING NO	RESTRICTED TO
0	PLC	±	-																											
1	PLC	±	-																											
2	PLC	±	-																											
3	PLC	±	-																											
4	PLC	±	-																											
ANGLES		±	-																											
MATERIAL		FINISH	WEIGHT	A3	00779	G-1461254-2	-																							
CUSTOMER DRAWING			SCALE	4:1	SHEET	1 OF 2	REV	G1																						

THIS DRAWING IS UNPUBLISHED. RELEASED FOR PUBLICATION  
 © COPYRIGHT - By - ALL RIGHTS RESERVED.

LOC	DIST	REVISIONS					
HB	-	P	LTR	DESCRIPTION	DATE	DWN	APVD
				SEE SHEET 1			

107-79006	SUPERCED BY 1461392-8	9-1419145-2	OZT-SH-112LM1	OZT-SH-112LM1	12V	32
	ACTIVE	2-1419124-7	OZT-SH-124LM1	OZT-SH-124LM1	24V	31
	SUPERCED BY 3-1440002-8	3-1419124-4	OZT-SS-148LM1	OZT-SS-148LM1	48V	30
	OBSOLETE	3-1419124-3	OZT-SS-124LM1	OZT-SS-124LM1	24V	29
	OBSOLETE	3-1419124-1	OZT-SS-112LM1	OZT-SS-112LM1	12V	28
	ACTIVE	1-1461392-2	OZT-SH-148LM1	OZT-SH-148LM1	48V	27
	ACTIVE	1-1461392-1	OZT-SH-148DM1	OZT-SH-148DM1	48V	26
	ACTIVE	1-1461392-0	OZT-SH-124LM1	OZT-SH-124LM1	24V	25
	ACTIVE	1461392-9	OZT-SH-124DM1	OZT-SH-124DM1	24V	24
	ACTIVE	1461392-8	OZT-SH-112LM1	OZT-SH-112LM1	12V	23
	ACTIVE	1461392-7	OZT-SH-112DM1	OZT-SH-112DM1	12V	22
	ACTIVE	1461392-6	OZT-SH-109LM1	OZT-SH-109LM1	9V	21
	ACTIVE	1461392-5	OZT-SH-109DM1	OZT-SH-109DM1	9V	20
	ACTIVE	1461392-4	OZT-SH-106LM1	OZT-SH-106LM1	6V	19
	ACTIVE	1461392-3	OZT-SH-106DM1	OZT-SH-106DM1	6V	18
	ACTIVE	1461392-2	OZT-SH-105LM1	OZT-SH-105LM1	5V	17
	ACTIVE	1461392-1	OZT-SH-105DM1	OZT-SH-105DM1	5V	16
	ACTIVE	1-1461254-0	OZT-SS-148DM1	OZT-SS-148DM1	48V	15
	ACTIVE	1461254-9	OZT-SS-124DM1	OZT-SS-124DM1	24V	14
	ACTIVE	1461254-8	OZT-SS-109LM1	OZT-SS-109LM1	9V	13
	ACTIVE	1461254-7	OZT-SS-109DM1	OZT-SS-109DM1	9V	12
	ACTIVE	1461254-6	OZT-SS-106LM1	OZT-SS-106LM1	6V	11
	ACTIVE	1461254-5	OZT-SS-106DM1	OZT-SS-106DM1	6V	10
	ACTIVE	1461254-4	OZT-SS-105LM1	OZT-SS-105LM1	5V	9
	ACTIVE	1461254-3	OZT-SS-105DM1	OZT-SS-105DM1	5V	8
	ACTIVE	1461254-2	OZT-SS-112DM1	OZT-SS-112DM1	12V	7
	ACTIVE	1461254-1	OZT-SS-103DM1	OZT-SS-103DM1	3V	6
	ACTIVE	3-1440002-8	OZT-SS-148LM1	OZT-SS-148LM1	48V	5
	ACTIVE	3-1440002-7	OZT-SS-124LM1	OZT-SS-124LM1	24V	4
	ACTIVE	3-1440002-6	OZT-SS-112LM1	OZT-SS-112LM1	12V	3
	SUPERCED BY 1-1461392-0	3-1440002-5	OZT-SH-124LM1	OZT-SH-124LM1	24V	2
	SUPERCED BY 1461392-8	3-1440002-4	OZT-SH-112LM1	OZT-SH-112LM1	12V	1
PACKING SPEC.	PART STATUS	TE PART NO	DESCRIPTION	PART A	PART B	ITEM



		UV RESIN	UV SEAL	16	
		EPOXY RESIN	SEAL	15	
		Cu ALLOY	HINGE SPRING	14	
		PBT	CASE	13	
		MW79	MAGNETIC WIRE	12	
UL94V-0		PET	BASE	11	
UL94HB		PBT	BOBBIN	10	
	SOLDER DIP	Cu ALLOY	COIL TERMINAL	9	
UL94V-0		PPS	CARD	8	
		Ag ALLOY	MOVABLE CONTACT	7	
		Ag ALLOY	STATIONARY CONTACT	6	
	SOLDER DIP	Cu ALLOY	MOVABLE SPRING	5	
	SOLDER DIP	Cu ALLOY	NO-TERMINAL	4	
		Ni PLATED	STEEL	CORE	3
		Ni PLATED	STEEL	ARMATURE	2
		Ni PLATED	STEEL	YOKE	1
INCOMBUSTIBILITY	TREATMENT	MATERIAL	DESCRIPTION	ITEM	

RELAY TYPE

(E)

THIS DRAWING IS A CONTROLLED DOCUMENT. 13MAY2009

DWN LIU, DAVEY  
 CHK BANGHUA, YU  
 APVD SUNNY, ZHANG

TE Connectivity

OZT-D/LM1 CUSTOMER DRAWING

SIZE A3 CAGE CODE 00779 DRAWING NO G-1461254-2 RESTRICTED TO -

WEIGHT -

CUSTOMER DRAWING SCALE 4:1 SHEET 2 OF 2 REV G1